



SLIVR8 Surface Mount LED

PRODUCT DESCRIPTION:

The SLIVR8 is an ultra-low profile surface mount LED lighting fixture designed to be a more versatile dome light solution. It features a solid state aluminum body that functions as its own heatsink for maximum thermal dissipation and LED longevity, as well as a frosted polycarbonate lens for impact resistance and diffusion. Leverages a high quantity of internal LEDs to reduce hot spots and create a more diffused viewing experience while maintaining a thin profile. SLIVER8 comes standard with high color rendering index LEDs exceeding CRI90 for the most color stringent needs, while on-board regulation smooths voltage swings in battery systems creating a constant regulated output. The front face is IP65 for accidental sprays and wipe down. The fixture also has an IP65 cord grip on the back to keep out any water leaks, dust, or insects. An optional waterproof gasket can be purchased to seal between the fixture and the ceiling.



CONSTRUCTION:

- Solid state aluminum body and heatsink
- Impact and UV resistant polycarbonate lens

FEATURES:

- Industry standard 8" mounting
- CRI90 standard
- Blackout red, green or blue option
- 12V regulated input
- PWM dimmable by source power or logic wires
- High/Low feature
- No-flicker internal regulation
- High longevity premium brand LEDs
- Range of CCT options (*see page 2*)
- Lightweight
- IP65 sealed



SPECIFICATIONS

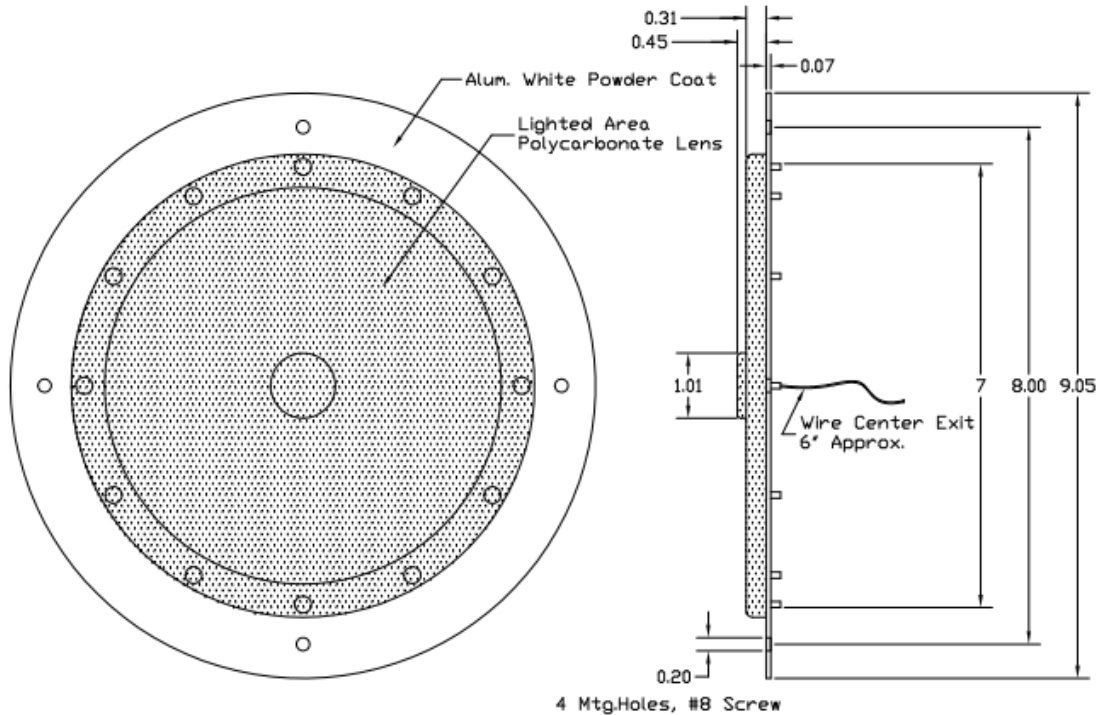
Standard Part	Size	Weight (lbs)	Volts (DC)	Watts @12V	Color (CCT)	Delivered Lumens	CRI	Lumens per Watt	Lens	Run Temp Storage Temp
SLIVR18	9" L x 9" W x .45" D	0.7	10-14	14.4	5000K	1300	90	90	PC	-30°C to 50°C -30°C to 80°C

Disclaimer: orders are subject to minimums and price changes



SLIVR8 Surface Mount LED

PART NUMBER ORDERING OPTIONS									
Series	Model	Voltage (DC)	Watts	CCT	CRI	Blackout	High/Low	PWM Logic Dim	Mounting
SLIVR	8	12V	-14 (14.4)	-30 (3000K) -40 (4000K) -50 (5000K) -65 (6500K)	-80 -90	R-Red G-Green B-Blue N-None	Y-Yes N-No	Y-Yes (Dim Wire) N-No (source dimmable)	S-Surface C-Clip
STANDARD ORDERING CONFIGURATION									
SLIVR	8	12V	14	50	90	N	Y	N	S



Disclaimer: orders are subject to minimums and price changes